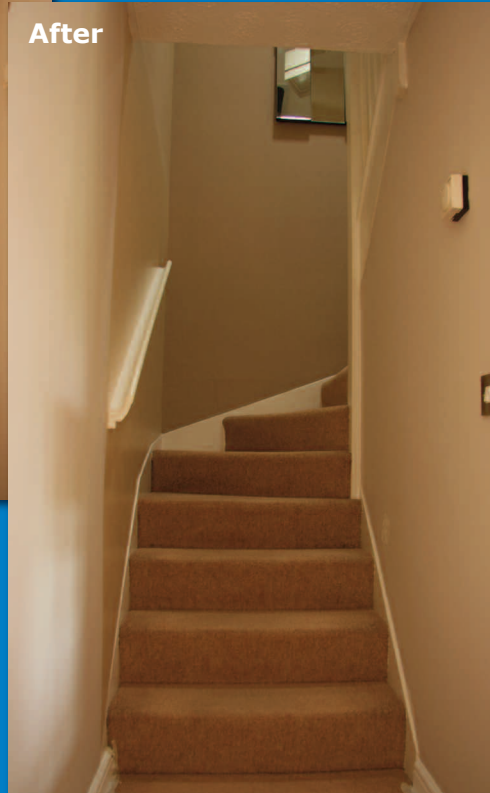
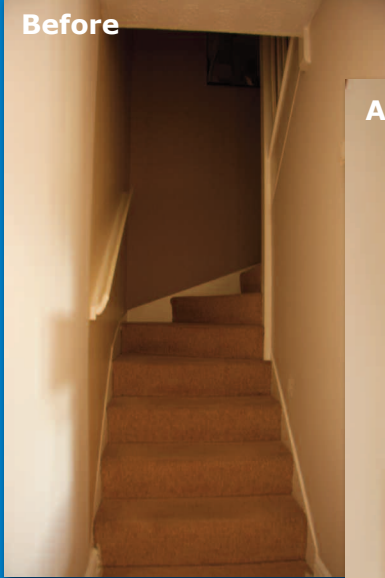


# Tubular Skylight Case Study

## 10" (254mm) Installation, Derby



"I keep thinking I've left the light on!"

*Ms A Griffiths  
Derby*

### The Result

Ms Griffiths was amazed with the change to the amount of light produced to improve such a dark area. She was also impressed with the ease & quickness of the installation & the lack of mess & disturbance caused to the property. Ms Griffiths also said 'I keep thinking I have left the light on'.

### The Contractor

The installation was carried out by Mr John Lees of J.A.L. Roofing Ltd, Derby.

### The Problem

This Derby property had a very dark, mid stairwell area & landing without any natural light source to call upon.

### The Solution

After discussions with the client it was agreed to fit a 10" (254mm) Natural Light Tubular System.

The system would require up to 5 lengths of 2' (610mm) highly reflective tube & 1no 10" (254mm) Elbow.

The client's preference was to choose the prismatic diffuser to disperse the light.



**Rooflights  
&  
Glazing**

## Rooflights & Glazing UK Ltd

Unit 5, Ironbridge Industrial Estate, 397 Retford Road, Sheffield South Yorkshire S13 9WA  
Tel: 0114 408 1000 | Fax: 0114 238 5511 | E-mail: sales@rooflightsandglazing.co.uk  
Web: www.rooflightsandglazing.co.uk

# 10" (254mm), 13" (330mm) and 18" (457mm) Tubular Skylight Technical Specifications

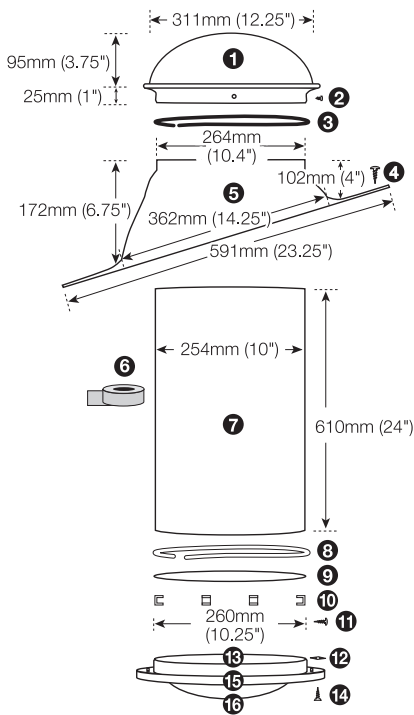
**10 Year Product Warranty**

## TUBULAR SKYLIGHT COMPONENTS:

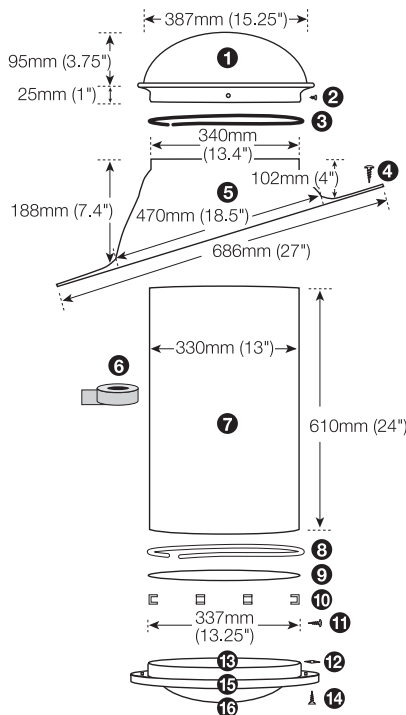
1. Clear, UV protected, 100% high impact modified acrylic dome.
2. Phillips head stainless steel 6mm sheet metal screws.
3. Black nylon gasket (self-adhesive).
4. Phillips head stainless steel 38mm screws.
5. Commercial pure grade, 1100 series aluminum flashing.
6. Heavy duty foil tape.
7. Light Pipe — up to 1170mm coverage (in length) per kit.
8. White nylon gasket (self-adhesive).
9. Small and large polycarbonate lenses (energy conservation kit).
10. U-channel self-adhesive PVC tabs.
11. Tek screws.
12. Black speed nuts.
13. Aluminum ceiling ring.
14. 38mm Phillips head screws.
15. White powder coated aluminum trim ring.
16. Choice of prismatic or soft white diffuser.
17. An elbow and a flashing skirt (for pitched roof installations only).
18. Sealant (not shown).



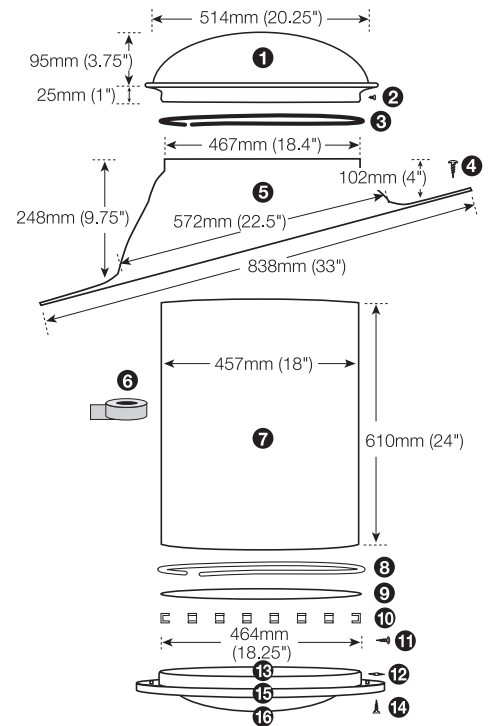
### 10" (254mm) Model



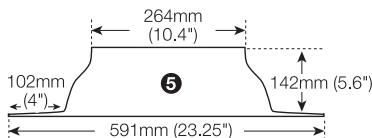
### 13" (330mm) Model



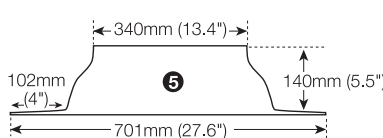
### 18" (457mm) Model



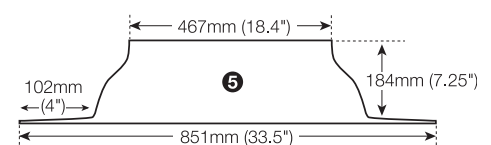
## Optional Flashings



### FLAT ROOF FLASHING



### FLAT ROOF FLASHING



### FLAT ROOF FLASHING



### CURB FLASHING

10" (254mm) & 13" (330mm) Only

Model	Coverage	Wattage	Install Dist.	U-value
10" (254mm)	up to 10m <sup>2</sup>	up to 300 watts	up to 5.4m	0.7 W/m <sup>2</sup> K
13" (330mm)	up to 20m <sup>2</sup>	up to 500 watts	up to 6.0m	0.7 W/m <sup>2</sup> K
18" (457mm)	up to 40m <sup>2</sup>	up to 1,000 watts	up to 6.0m	0.7 W/m <sup>2</sup> K